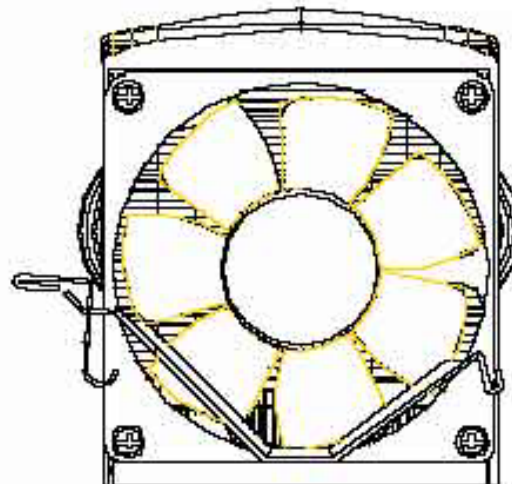
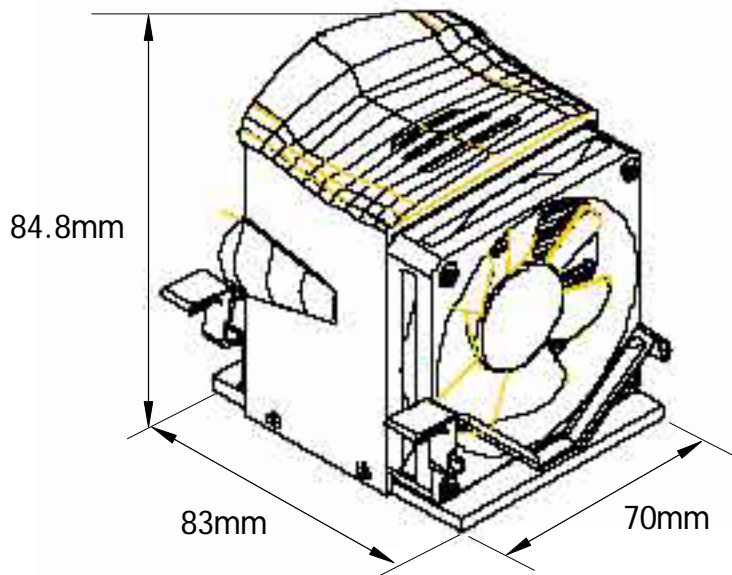


MACH1

HEATPIPE CPU COOLER

Model: MP4-7015-FC



Specifications:

Dimension: 83.0x 70.0x 84.8mm

Fan size: 70.0x 70.0 x 15.0mm

Fan Speed: 2800-3800 R.P.M.

Rate Current: 7-12V

Noise Level: 29-34 dBA

Weight: 515g

Bearing Type: Ball Bearing

CPU Socket: Intel® Pentium®4 (Socket 478)

AMD Athlon™ 64 (Socket 754)

AMD Athlon™ 64FX (Socket 940)

AMD Sempron™ 64FX (Socket 754)

AMD Opteron™ 64FX (Socket 940)

Package Includes:

Mach 1 x 1

Mounting Kit x 2

Thermal Paste x 1

Installation Guide x 1

43951 Boscell Road

Fremont, CA 94538

Tel: 510-668-0368

Fax: 510-668-0367

www.vantecusa.com

Copyright © 2004 Vantec Thermal Technologies. All Rights Reserved.

All registered trademarks belong to their respective companies.